

Product me:

Heron 2.2

Item Code:

4270001, 4270002

SKU:

9108400694, 9108400695

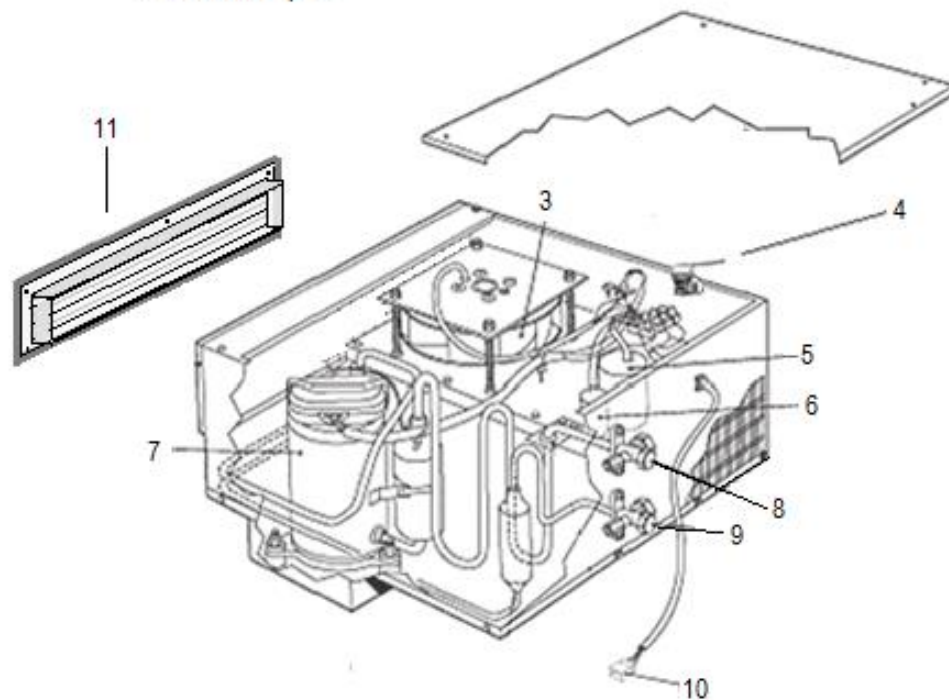
Production:

22/11/16

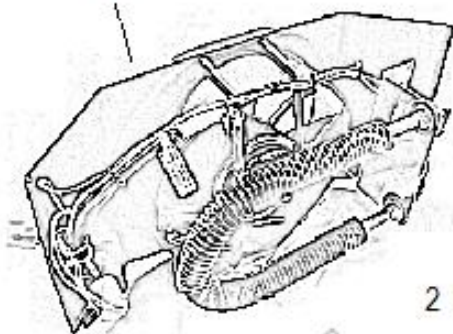
Release Date:



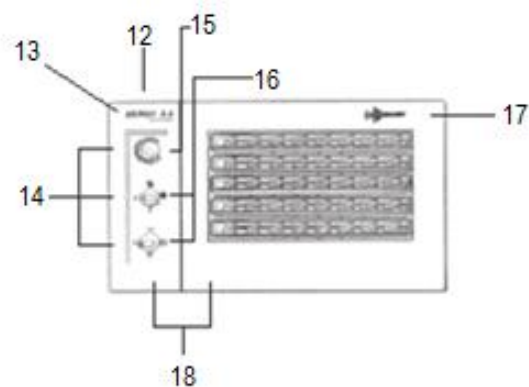
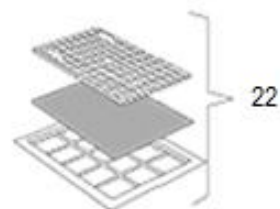
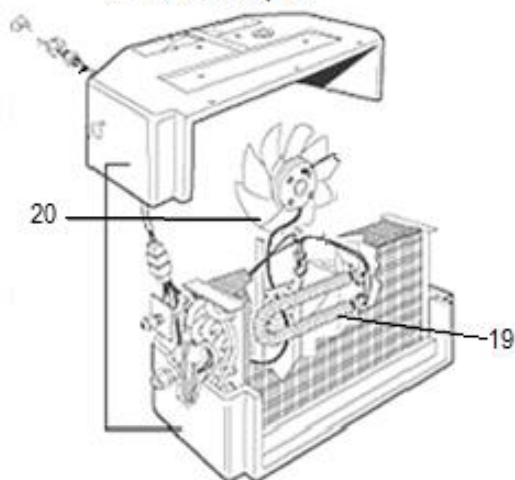
1 Condenser pack



21



2 Air handler pack



Product me: Heron 2.2



Item Code: 4270001, 4270002
SKU: 9108400694, 9108400695
Production:
Release Date: 22/11/16

	Item No	Description
01	4251000	CONDENSER PACK HERON 2.2
02	4252001	AIRHANDLER PACK WHT HERON 2.2
02	4252002	AIRHANDLER PACK SIL HERON 2.2
03	2801606	MOTOR COND 2-SPEED 2.2 MK2
04	1806008	THERMOSTAT KWTB-AA03 AIRCOMM (fixed)
05	0018235	CAPACITOR 30UF HERON 2.2 (wires attached)
05	0018236	CAPACITOR 25UF HERON 2.2
06	0018237	CAPACITOR 2UF HERON 2.2
07	0018250	COMPRESSOR 407C 16E HERON 2.2
08	4001013	VALVE PACKED 3/8 ALL HERON
09	4001012	VALVE PACKED 1/4 ALL HERON
10	4252003	PLUG 3PIN CONDENSER HERON 2.2
11	4002092	GRILL OUTSIDE ALL HERON 2.2
12	4222050	SWITCH BOX HERON 2.2 ALL
13	4222049	FASICA S/PLATE SILVER 2.2 MK2
13	4332049	FASCIA S/PLATE WTE 2.2 MK2
14	0018300	KNOB SET WHITE AIRCOMM
14	0018301	KNOB SET SILVER AIRCOMM
15	0018227	KNOB THERMOSTAT SILVER AIRCOMM
16	0018208	KNOB ROTARY SWITCH WHT AIRCOMM
16	0018228	KNOB ROTARY SWITCH SIL AIRCOMM
17	4222053	FASICA SILVER LOUVRE AIRCOMM
17	4222054	FASICA WHITE LOUVER AIRCOMM
18	4222049	FASCIA S/PLATE SILVER 2.2 MK2
18	4222054	FASCIA WHITE LOUVER AIRCOMM
19	4002024	ELEMENT HERON 2.2
20	4272019	FAN EVAP HERON 2.2 MK2
21	4222038	FAN EVAP W/HOUSING 2.2 MK2
22	4001061	FILTER HERON 2.2
	0018302	FASCIA CAP WHT HERON 2.2 MK2
	0018303	FASCIA CAP SIL HERON
	1806007	THERMOSTAT KWTB-Y395A AIRCOMM (adjustable for switch box)
	4272035	CABLE POWER HERON 2.2 MK2
	1906016	ROTARY SWITCH R44-336A AIRCOMM
	4402039	SAFETY SWITCH HERON 2.2 ALL
	4402039-1	SWITCH THERMAL SAFETY HERON2-2
	BELOW FOR	Mark 1 Heron 2.2 with square 9 pin A/H plug ONLY
	4402060	FAN MOTOR SINGLE SPEED 2.2 MK1
	4402061	HOUSING EVAPORATOR FAN 2.2 MK1
	4002003	CAPACITOR 1.5UF AIRCOMM
	4202010	ROTARY SWITCH W/DECAL 2.2 MK1
	4202012	THERMOSTAT HERON 2.2 MK1

*** Items not listed are only available by special order**