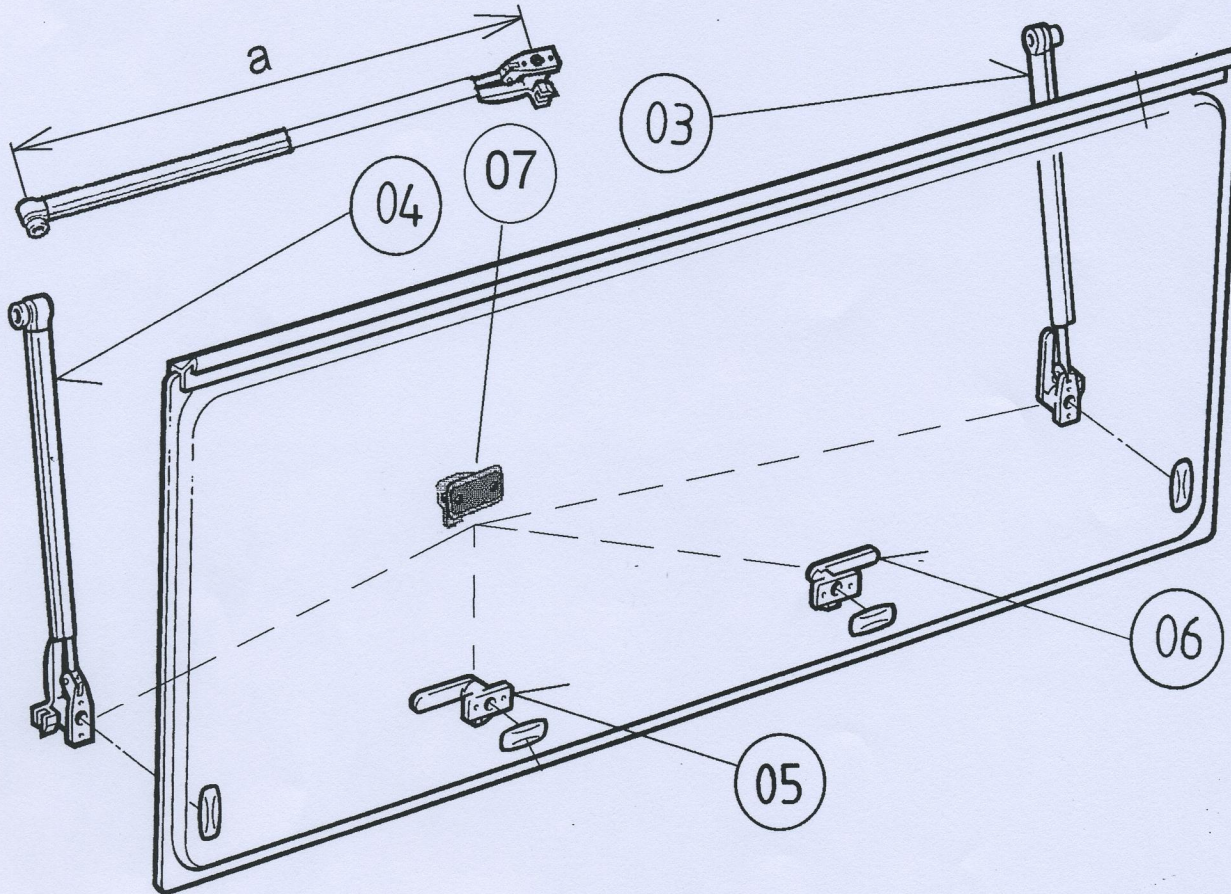


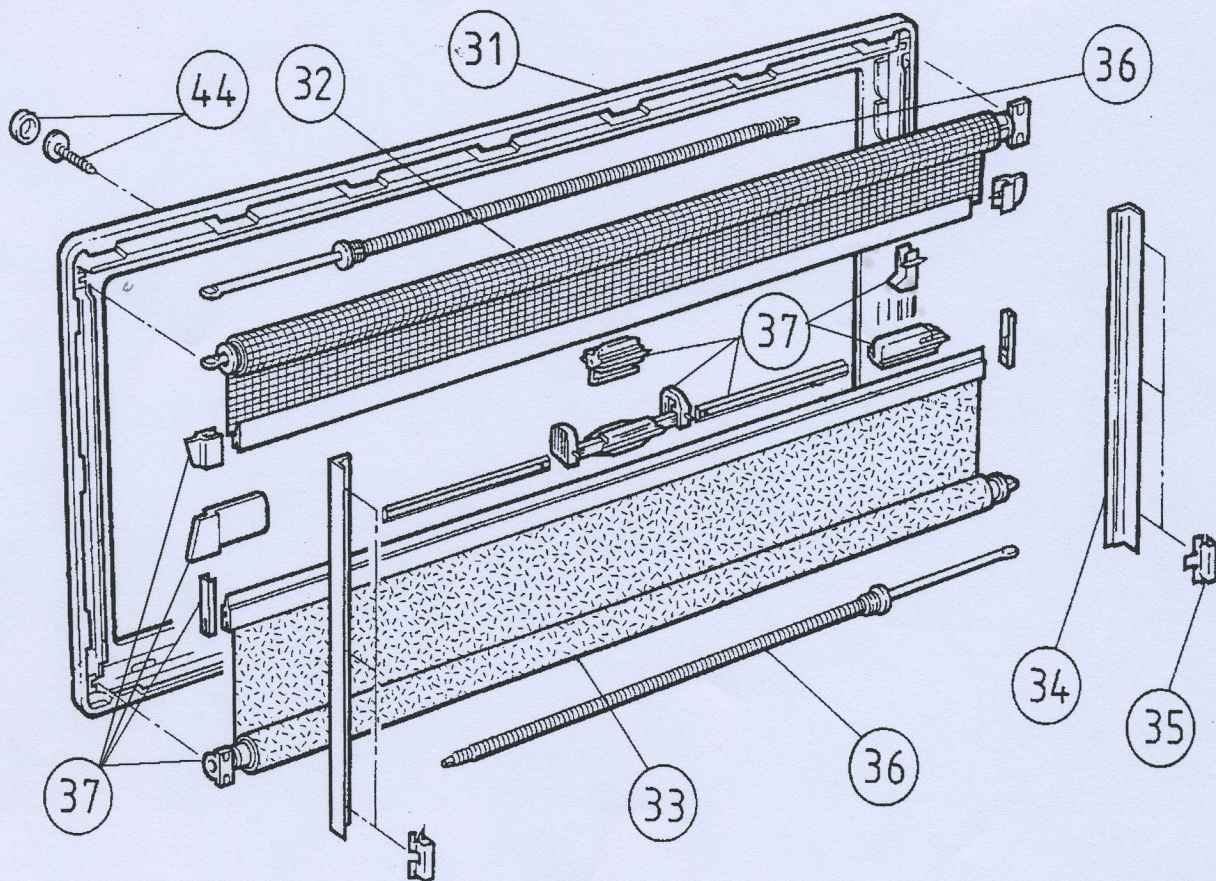
Model: Dometic Windows



ITEM No.	PART No.	DESCRIPTION
5.	BG 1036	Window latch, right
6.	BG 1037	Window latch, left

Please contact your Dometic Customer Service Agent when ordering any other parts (than No. 5 and 6) due to varying window sizes.

Model: Dometic Windows



ITEM No.	PART No.	DESCRIPTION
37.	BG 1089	Blind/Flyscreen latch set
44.	BG 1088	Screw and cap set

Please contact your Dometic Customer Service Agent when ordering any other parts (than No. 37 and 44) due to varying window sizes.