



**Dometic
Spare parts list**

Absorption refrigerators
3110

PNC	ELC	Brand	Model	Market
921140140	00	Dometic	RM2455	AU - NZ

Recreational Vehicle Refrigerator

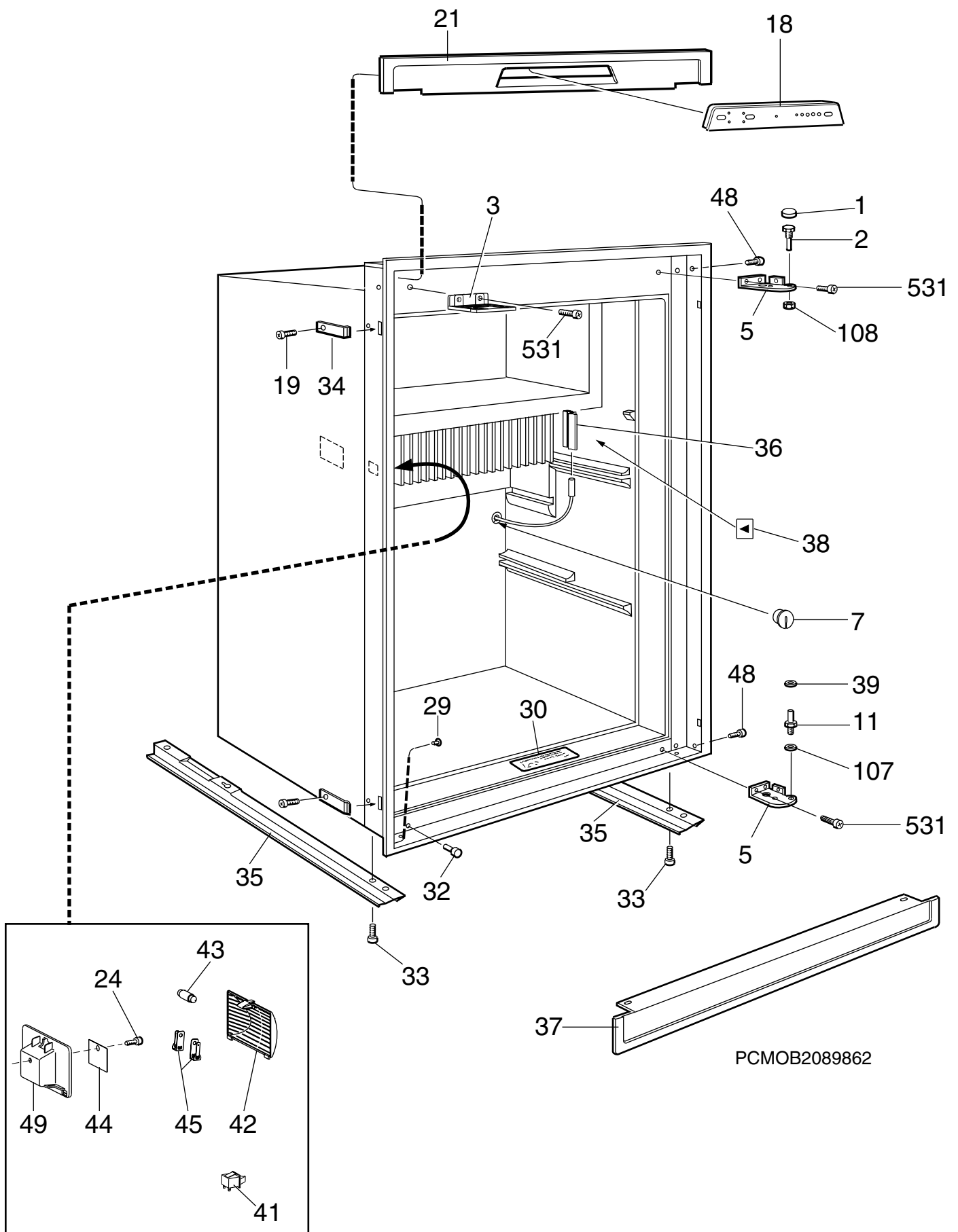
Dometic Motala

Publication-No.

599708272

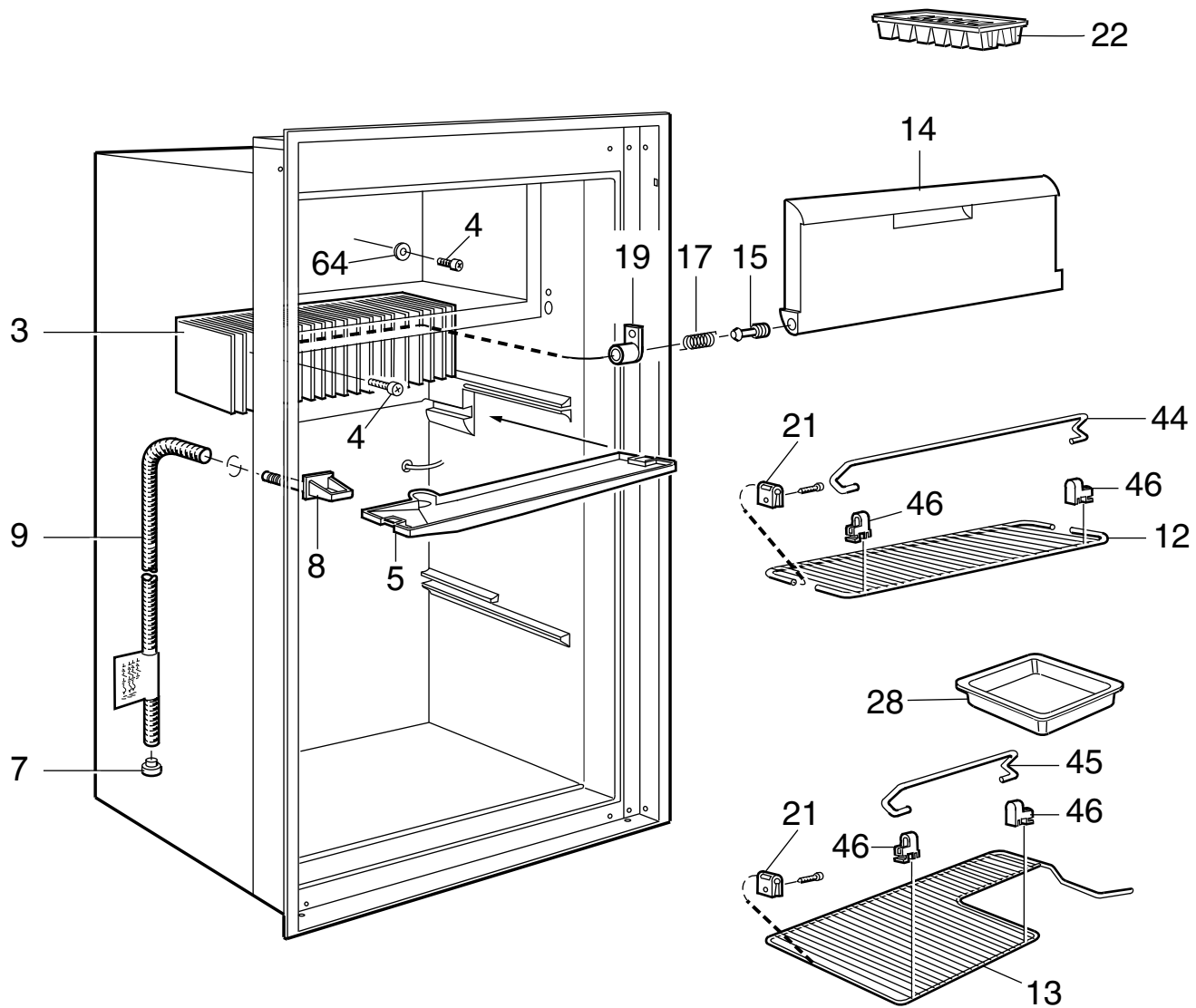
2009/06/24

MO



Matrix	PNC	ELC	ProdDate	Model
A	921140140	00	20080409	RM2455

Pos	Part No.	Matrix	Description
1	2932736081	A	Cover,black
2	2932647015	A	Hinge pin,upper
3	3851466015	A	Bracket,black
5	2932643030	A	Hinge,black
7	2002301006	A	Cover
11	2932649011	A	Hinge pin,lower
18	3850741020	A	Display,assembly,black,AESIII
19	3858002052	A	Screw,zinc-plated,RXS B6X6,5
21	2932641075	A	Front,black
24	3858006012	A	Screw,PT PH4x10
29	2930740077	A	Cover,black
30	3850953005	A	Instruction plate
32	3850585039	A	Plug,black
33	3858039096	A	Screw,zinc-plated,MRX M5X14
34	2932855014	A	Fastening bow
35	2932660018	A	Rail
36	3851088017	A	Bracket,thermistor
37	2932690049	A	Base cover,black
38	2933180016	A	Label
39	3858010022	A	Washer,black,5,5X12X1
41	3851000012	A	Switch
42	3850962014	A	Lamp glass
43	2007290006	A	Lamp,10W,12V
44	3850963012	A	Reflector
45	2932108018	A	Contact pin
48	3858004058	A	Screw,zinc-plated,MRX M4X4
49	3850961016	A	Lamp housing
107	3858010113	A	Washer,zinc-plated,BRB 6,4X12,5
108	3858009057	A	Nut,black,ML6 M6
531	3858039047	A	Screw,zinc-plated,MRX M4X10
999	2932750132	A	Door reversing kit,right-left,black not shown

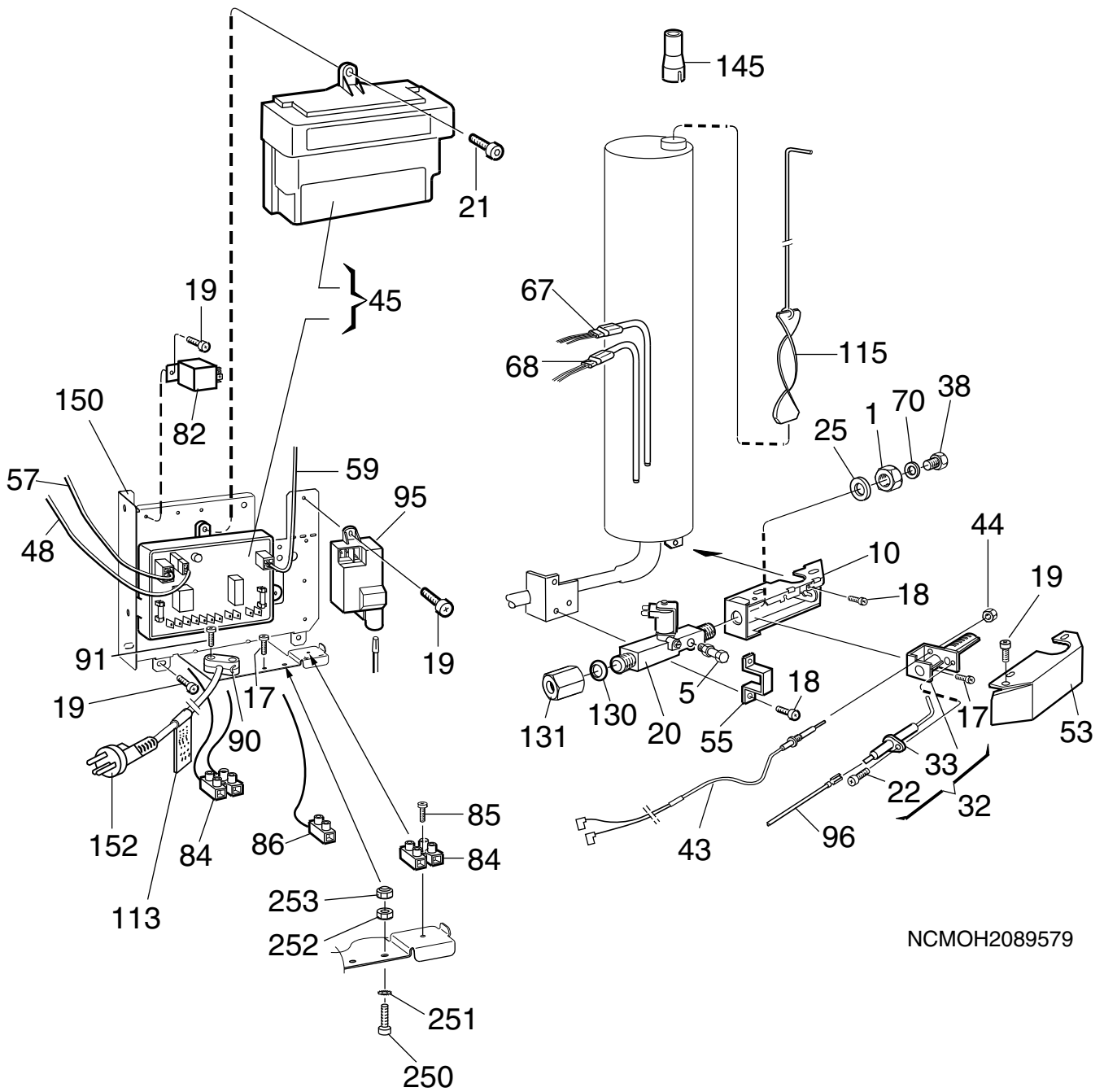


NCMOD2089769

Exploded view no.: NCMOD2089769
P00003007284

Matrix	PNC	ELC	ProdDate	Model
A	921140140	00	20080409	RM2455

Pos	Part No.	Matrix	Description
3	2932628015	A	Cooling flange
4	3858036019	A	Screw, zinc-plated, KFXS B10X38
5	2932623016	A	Evaporation tray
7	2932115013	A	Discharge pipe, plug
8	2932635010	A	Drain
9	2932749019	A	Drain hose, L=1375mm
12	2932625060	A	Grating shelf
13	2932626142	A	Grating shelf
14	2932650019	A	Flap freezer-
15	2002238000	A	Bolt
17	2932754019	A	Spring, left
17	2932754027	A	Spring, right
19	2002236004	A	Spring casing, left
19	2002236012	A	Spring casing, right
21	2932668029	A	Bracket
22	2930400003	A	Ice tray
28	2932636018	A	Box
44	2007337138	A	Rack, L=381mm approx 15"
45	2007337120	A	Rack
46	2930693045	A	Holder
64	3858010147	A	Washer, aluminium, 5.2x22x1.5



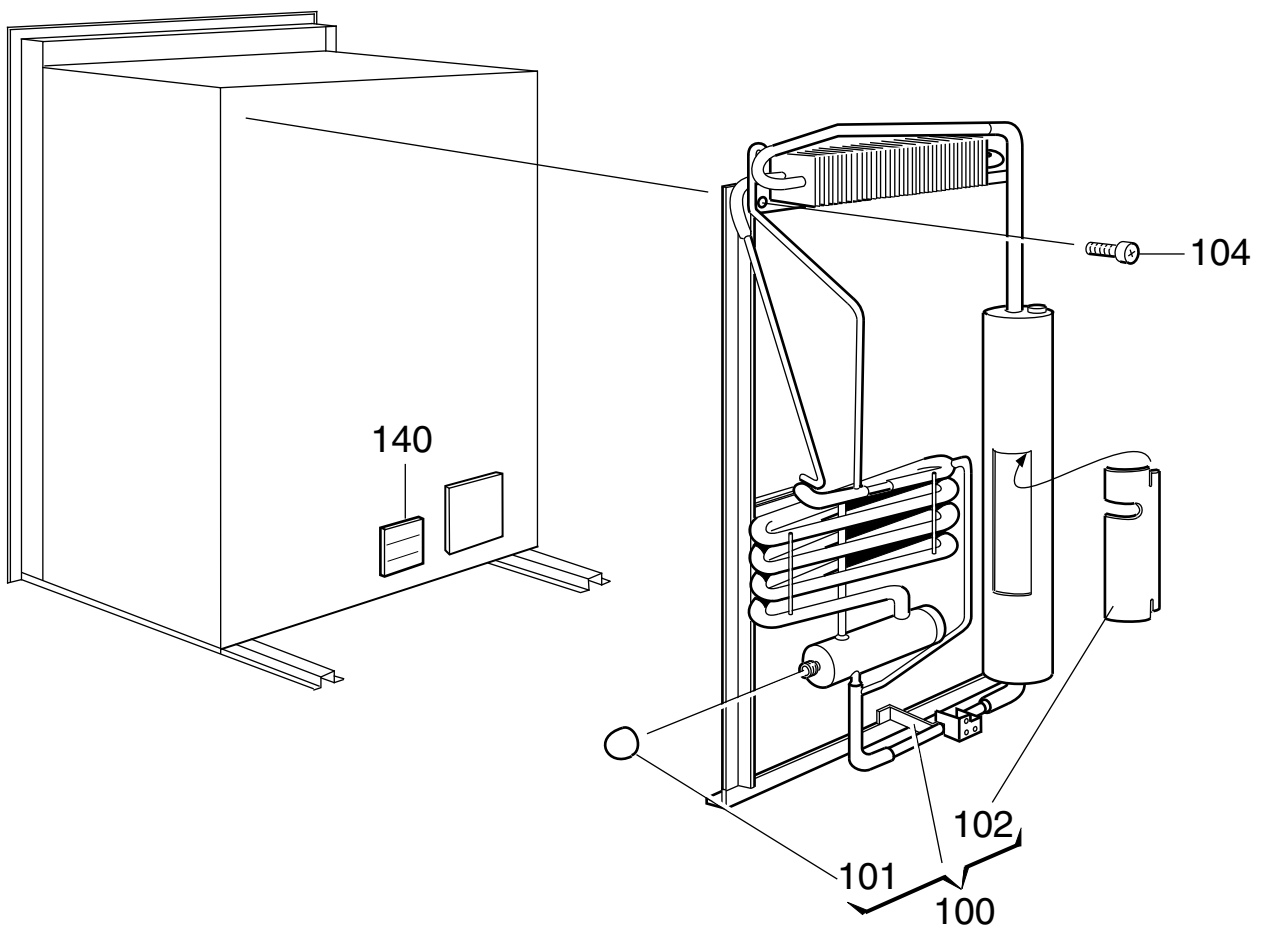
Matrix	PNC	ELC	ProdDate	Model
A	921140140	00	20080409	RM2455

Pos	Part No.	Matrix	Description
1	140207044	A	Nut
5	2932097013	A	Nipple
10	2932603018	A	Burner housing
17	3858039039	A	Screw, zinc-plated, MRX M4X8
18	3858039047	A	Screw, zinc-plated, MRX M4X10
19	3858002144	A	Screw, zinc-plated, RXS B6X9, 5
20	2932615038	A	Solenoid valve
21	3858002151	A	Screw, zinc-plated, RXS B6X13
22	3858005014	A	Screw, zinc-plated, RXK B6X9, 5
25	3858010071	A	Washer, 12, 5X18, 5X1
32	2930697061	A	Burner
33	2930379009	A	Electrode
38	2007419167	A	Jet, 43
43	2932052018	A	Thermocouple
44	2801043015	A	Nut
45	3850610019	A	Electronics module, assembly, AESIII
48	3851059034	A	Conductor, thermistor
53	2932661016	A	Cover
55	2932662014	A	Bracket
57	2954542060	A	Conductor, PCB
59	2954540031	A	Conductor, complete, solenoid valve
67	3850644125	A	Heater, 195W, 240V
68	3850646054	A	Heater, 175W, 12V
			From serial no. 92600001
68	3850646104	A	Heater, 175W, 12V
			Up to serial no. 85000107
70	2007457001	A	Washer, 0, 5mm
82	3851334007	A	Relay
84	3858022019	A	Terminal block
85	3858002185	A	Screw, zinc-plated, RXS B6X25
86	3858062015	A	Terminal block
90	2932342013	A	Cable clamp
91	3858002177	A	Screw, zinc-plated, RXS B6X19
95	2932347012	A	Spark generator
96	2931360057	A	Ignition cable
113	2932733005	A	Label
115	2007590017	A	Flame spreader
130	2930500000	A	Seal washer, copper
131	3850743018	A	Connection, nipple
145	2932195015	A	Adaptor
150	3851474019	A	Bracket
152	3850555040	A	Cord set
250	3858004033	A	Screw, zinc-plated, MRX M4X16
251	3858011012	A	Lock washer, zinc-plated, 4, 3X8

Exploded view no.: NCMOH2089579
P00003007285

Matrix	PNC	ELC	ProdDate	Model
A	921140140	00	20080409	RM2455

Pos	Part No.	Matrix	Description
252	3858009016	A	Hexagon nut, zinc-plated, M4X3, 2
253	3858028024	A	Lock nut, zinc-plated, M4

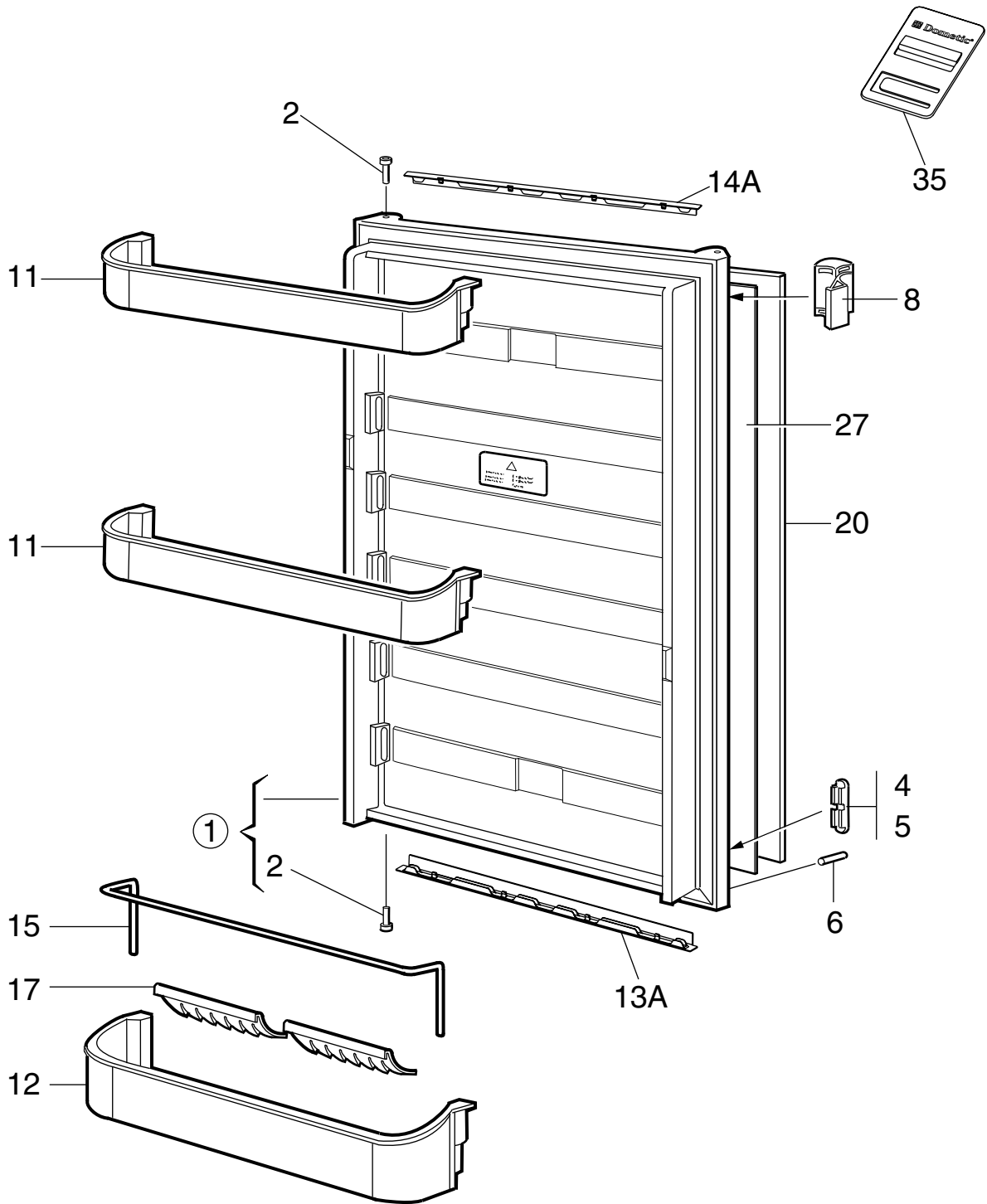


NCMOE2089867

Exploded view no.: NCMOE2089867
P00003007286

Matrix	PNC	ELC	ProdDate	Model
A	921140140	00	20080409	RM2455

Pos	Part No.	Matrix	Description
100	2934409091	A	Cooling unit,409
101	173228008	A	Cap
102	2933557007	A	Cover sheet
104	3858068012	A	Screw,DK 4.8X19
140	3850582002	A	Label
999	8251240084	A	User manual Up to serial no. 85000107
999	8251240092	A	User manual From serial no. 92600001



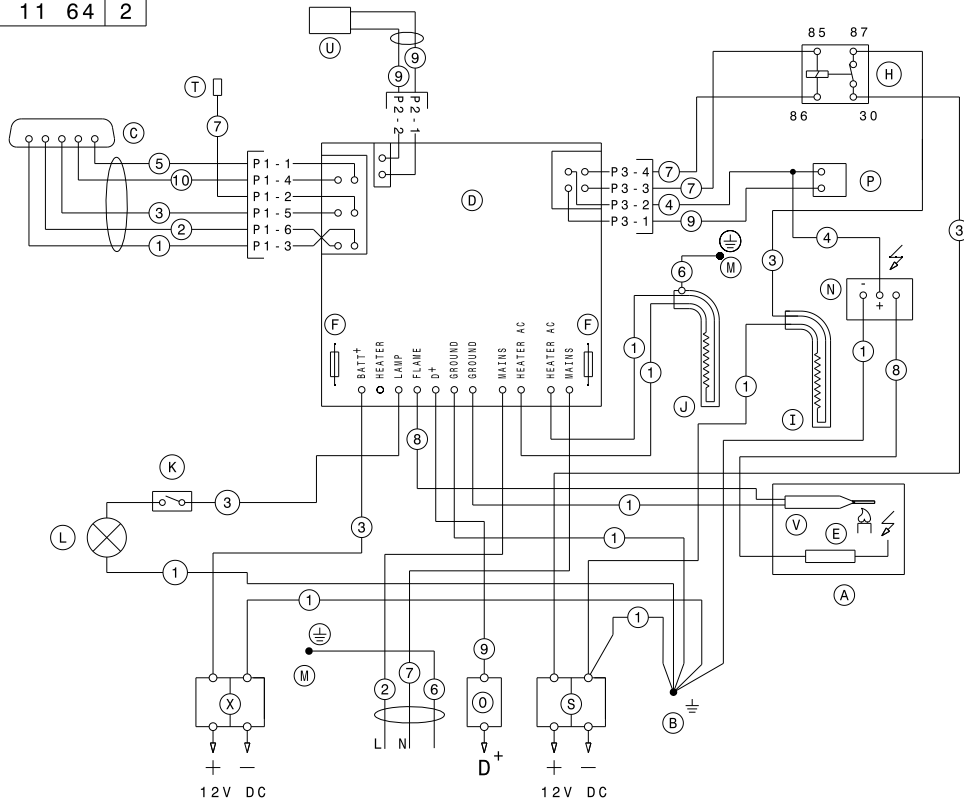
PCMOA3007287

Exploded view no.: PCMOA3007287
P00003007287

Matrix	PNC	ELC	ProdDate	Model
A	921140140	00	20080409	RM2455

Pos	Part No.	Matrix	Description
1	2932563139	A	Refrigerator door,black
2	2931171066	A	Hinge bushing,black
4	2932682038	A	Plug,upper right,lower left
5	2932682046	A	Plug,upper left,lower right
6	2932588011	A	Stopper
8	2932670025	A	Handle,black
11	2932576016	A	Door shelf
12	2932575018	A	Bottle shelf
13A	3850919022	A	Decoration strip,black
14A	3850919063	A	Decoration strip,black
15	2932585033	A	Rack
17	2932658012	A	Bottle holder,white
20	3851406029	A	Door panel,refrigerator door,silver
27	2932469055	A	Cushion,door panel
35	3851147011	A	Spacer,door

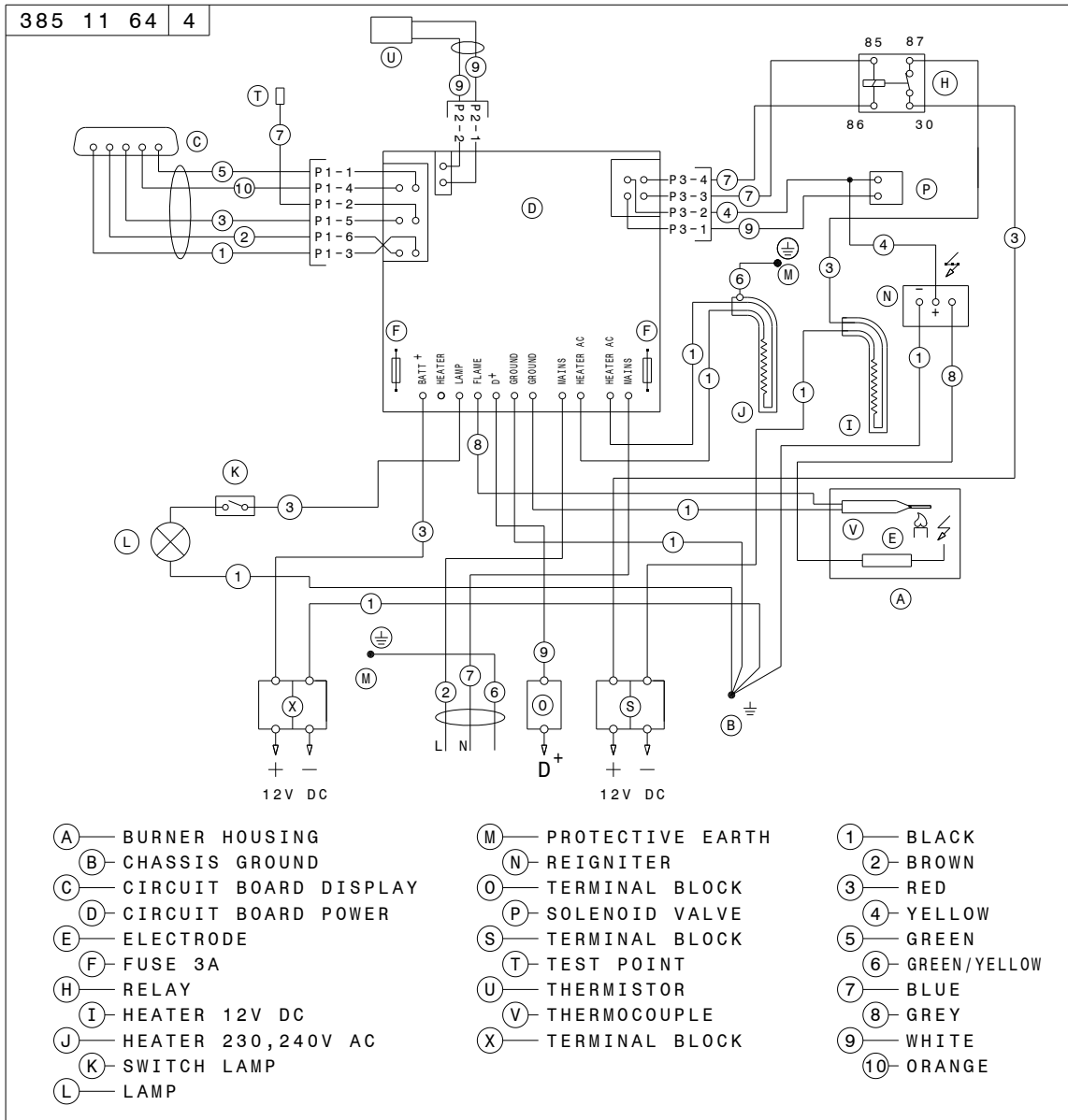
385 11 64 2



- | | | |
|-----------------------------|------------------------|--------------------|
| (A) — BURNER HOUSING | (M) — PROTECTIVE EARTH | (1) — BLACK |
| (B) — CHASSIS GROUND | (N) — REIGNITER | (2) — BROWN |
| (C) — CIRCUIT BOARD DISPLAY | (O) — TERMINAL BLOCK | (3) — RED |
| (D) — CIRCUIT BOARD POWER | (P) — SOLENOID VALVE | (4) — YELLOW |
| (E) — ELECTRODE | (S) — TERMINAL BLOCK | (5) — GREEN |
| (F) — FUSE 3A | (T) — TEST POINT | (6) — GREEN/YELLOW |
| (H) — RELAY | (U) — THERMISTOR | (7) — BLUE |
| (I) — HEATER 12V DC | (V) — THERMOCOUPLE | (8) — GREY |
| (J) — HEATER 230,240V AC | (X) — TERMINAL BLOCK | (9) — WHITE |
| (K) — SWITCH LAMP | | (10) — ORANGE |
| (L) — LAMP | | |

N38511642

From serial number 92600001



PA38511644