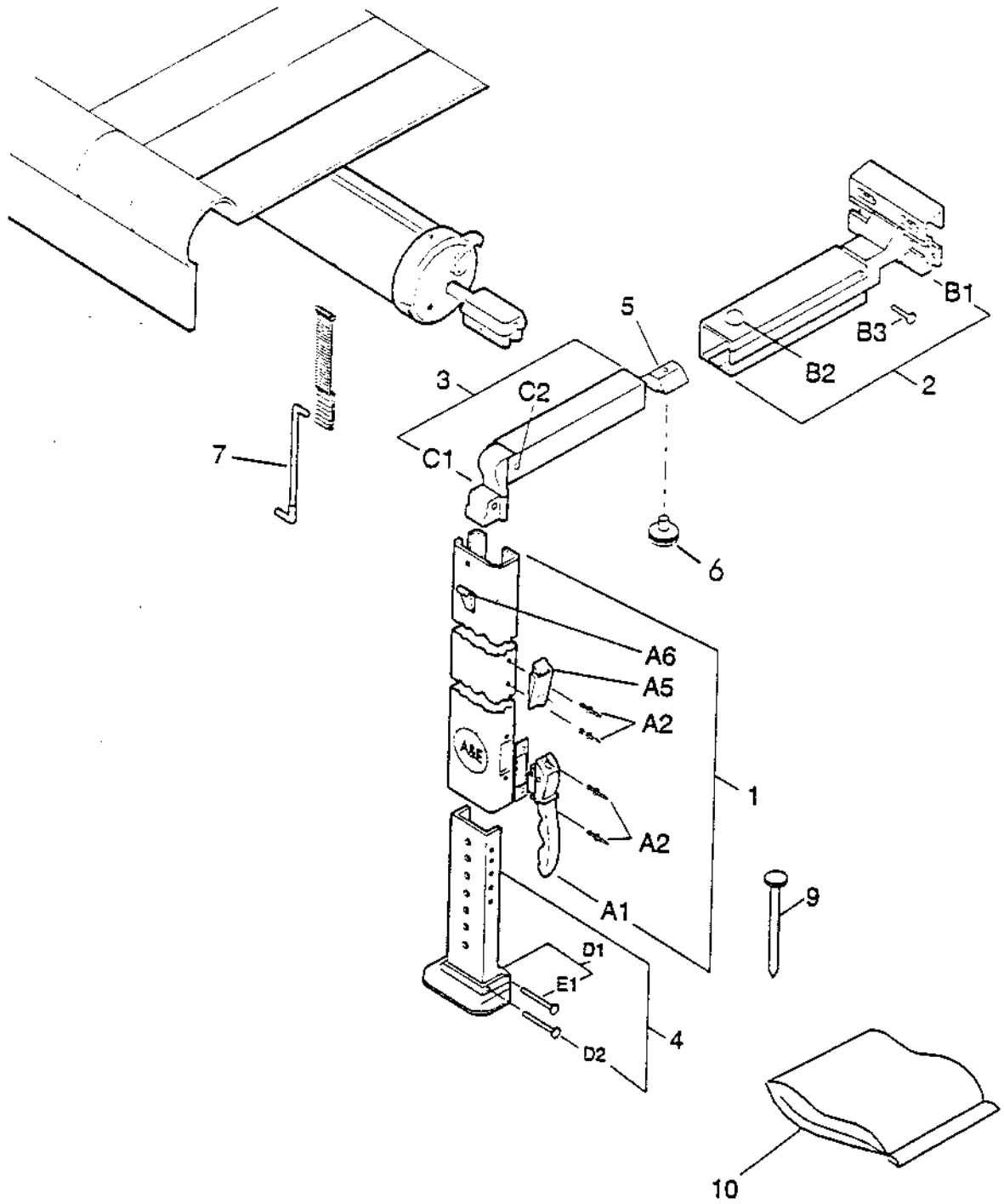


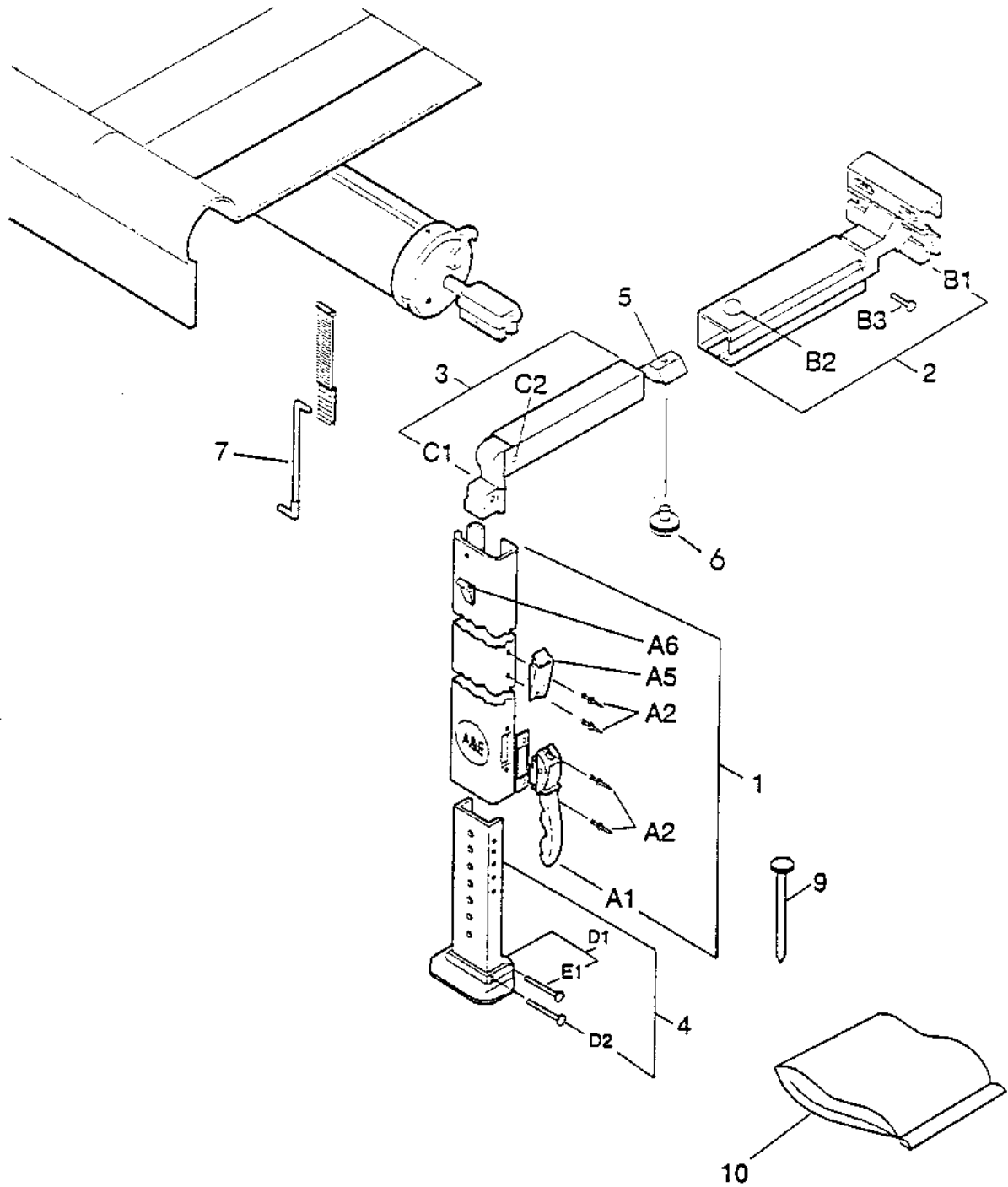
Model: Dometic A&E 8500/9000 Awning



Model: Dometic A&E 8500/9000 Awning

ITEM No.	DESCRIPTION	SATIN HARDWARE	
		TALL	SHORT
1	Arm, main (A1-A6) (2 req.)	8482003.001	8483003.002
	A1 Handle. lift (G1-G2)	3104502.293S	3104502.301S
	A2 Pop Rivet (4 req.)	830644	830644
	A5 Safety lock	308171.020	308171.020
	A6 Catch, slider (pair)	830587.001	830587.001
			830472.002
2	Rafter, main (B1 -B3) (2 req.)	830295.536S	830295.537S
	B1 Bracket asm.	830333	830333
	B2 Bumper, rubber	141031	141031
	B3 Rivet. semi-tube	143002.053	143002.053
3	Rafter, secondary (C1-C2) (2 req.)	830463.511S	830463.512S
	C*. Slider asm.	830463	830463
	C2 Rivet. semi tube	143002.055	143002.055
4	Arm asm adj. (D1-D2) (2 req.)	830466.516S	830466.516S
	D1 Foot	3108708.342	3108708.342
	E1 Rivet. semi tube	143002.059	143002.059
	D2 Rivet. semi tube	143002.058	143002.058
5	Nut special (2 req.)	3104652.007	3104652.007
6	Knob (2 req.)	3105421.014	3105421.014
7	EZ pull rod	830152.102	830152.102
9	Stake. tent (4 req.)	3104257.005	3104257.005
10	Kit hardware	STD	3104125.020
	Kit hardware screw, includes	3104852.003	3104852.003
	Washer (2 req.)		
	Screw (2 req.)		
	Screw (2 req.)		
	Screw (2 req.)		
	Nut lock (2 req.)		
	Washer, stop (2 req.)		
	Screw (4 req.)		
	Screw (4 req.)		

Model: Dometic A&E 8500/9000 Awning

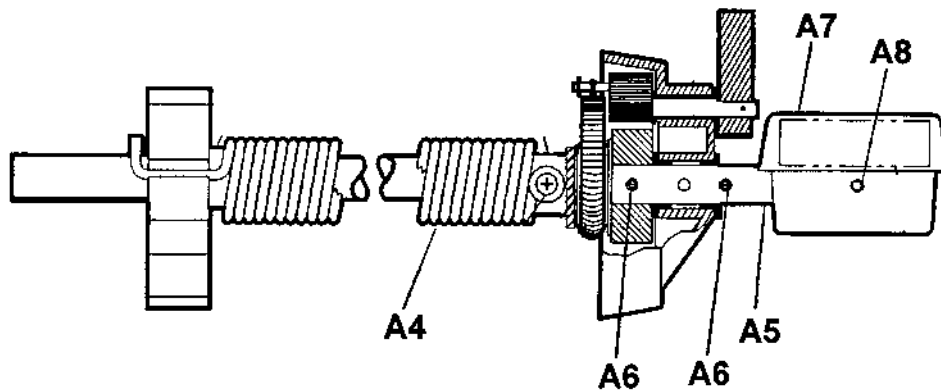


Model: Dometic A&E 8500/9000 Awning
WHITE HARDWARE

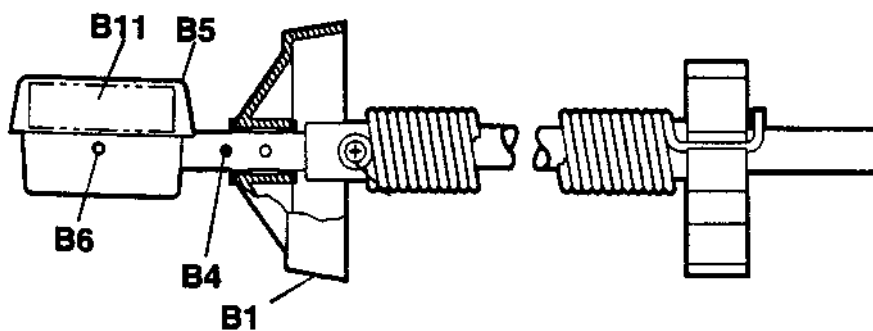
ITEM No.	DESCRIPTION	TALL	SHORT
		8483003.401B	8483003.402B
1	Arm, main (A1-A6)(2 req.)	3104502.293B	3104502.301B
	A1 Handle, lift (G1-G2)	830644	830644
	A2 Pop Rivet (4 req.)	308171.020	308171.020
	A5 Safety lock	830587.001	830587.001
	A6 Catch, slider	830472.002	830472.002
2	Rafter, main (B1-B3) (2 req.)	830295.536B	830295.537B
	B1 Bracket asm.	830333	830333
	B2 Bumper, rubber	141031	141031
	B3 Rivet. semi-tube	143002.053	143002.053
3	Rafter, secondary (C1 -C2) (2 red.)	830463.511B	830463.512B
	C1 Slider asm.	830463	830463
	C2 Rivet, semi tube	143002.055	143002.055
4	Arm asm., adj. (D1-D2) (2 req.)	830466.516B	830466.516B
	D1 Fact	3108708.342	3108708.342
	E1 Rivet, semi tube	143002.059	143002.059
	D2 Rivet. semi tube	143002.058	143002.058
5	Nut. special (2 req.)	3104652.007	3104652.007
6	Knob (2 req.)	3105421.014	3105421.014
7	EZ pull rod	830152.102	830152.102
9	Stake, tent (4 req.)	3104257.005	3104257.005
10	Kit hardware STD	3104125.020	3104125.020
	Kit hardware. screw, includes	3104852.003	3104852.003
	Washer (2 req.)		
	Screw (2 req.)		
	Nut lock (2 req.)		
	Washer, stop (2 req.)		
	Screw (4 req.)		
	Screw (4 req.)		

Model: Dometic A&E 8500/9000 Torsion Assemblies

Part No.: 3108399.035 TORSION ASSEMBLY – RIGHT-HAND



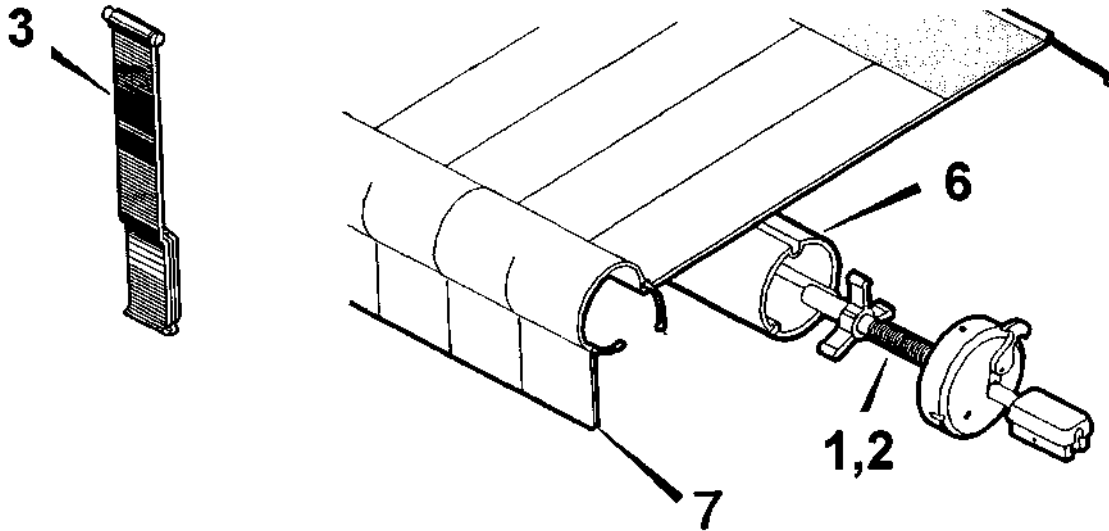
Part No.: 3108399.019 TORSION ASSEMBLY – LEFT-HAND



Model: Dometic A&E 8500/9000 Torsion Assemblies

ITEM No.	PART No.	DESCRIPTION
A4	730013.001	Spring, torsion
A5	730297.001	Rod, torsion
A6	3104384.031	Pin, drive 1/8 (2 req.)
A7	830567.005	Top casting, painted w/Warning Label
A8	3104384.023	Pin, drive 5/32
B1	830496.012	End cap asm., painted
B2	730013.002	Spring, torsion
B4	3104384.031	Pin, drive lock 1/8"
B5	830567.005	Top casting, painted w / Warning Label
B6	3104384.023	Pin, drive lock 5/32

Model: Dometic A&E 8500/9000 Awning



ITEM No.	PART No.	DESCRIPTION	
1	3108399.001	Torsion Asm, RH	
2	3108399.019	Torsion Asm, LH	
3	940001	Pull Strap	
6	3108340.008	Roller tube	8'
	3108340.009	Roller tube	9'
	3108340.010	Roller tube	10'
	3108340.011	Roller tube	11'
	3108340.012	Roller tube	12'
	3108340.013	Roller tube	13'
	3108340.014	Roller tube	14'
	3108340.015	Roller tube	15'
	3108340.016	Roller tube	16'
	3108340.017	Roller tube	17'
	3108340.018	Roller tube	18'
	3108340.019	Roller tube	19'
	3108340.020	Roller tube	20'
	3108340.021	Roller tube	21'
	3108340.022	Roller tube	22'
	3108340.023	Roller tube	23'
	3108340.024	Roller tube	24'
	3108340.025	Roller tube	25'
	7.	Fabric Assembly	
		R3108049(Colour Code).508	8'
		R3108049(Colour Code).509	9'
		R3108049(Colour Code).510	10'
		R3108049(Colour Code).511	11'
		R3108049(Colour Code).512	12'
		R3108049(Colour Code).513	13'
		R3108049(Colour Code).514	14'
		R3108049(Colour Code).515	15'
		R3108049(Colour Code).516	16'
		R3108049(Colour Code).517	17'
		R3108049(Colour Code).518	18'
		R3108049(Colour Code).519	19'
		R3108049(Colour Code).520	20'
		R3108049(Colour Code).521	21'
		R3108049(Colour Code).522	22'
		R3108049(Colour Code).523	23'
		R3108049(Colour Code).524	24'
		R3108049(Colour Code).525	25'

Colour Code: DY = Periwinkle/Alpine Green
 DZ = Burgundy Rose
 DX = Gulf Blue
 EA = Cinnamon/Fawn
 EH = Pewter