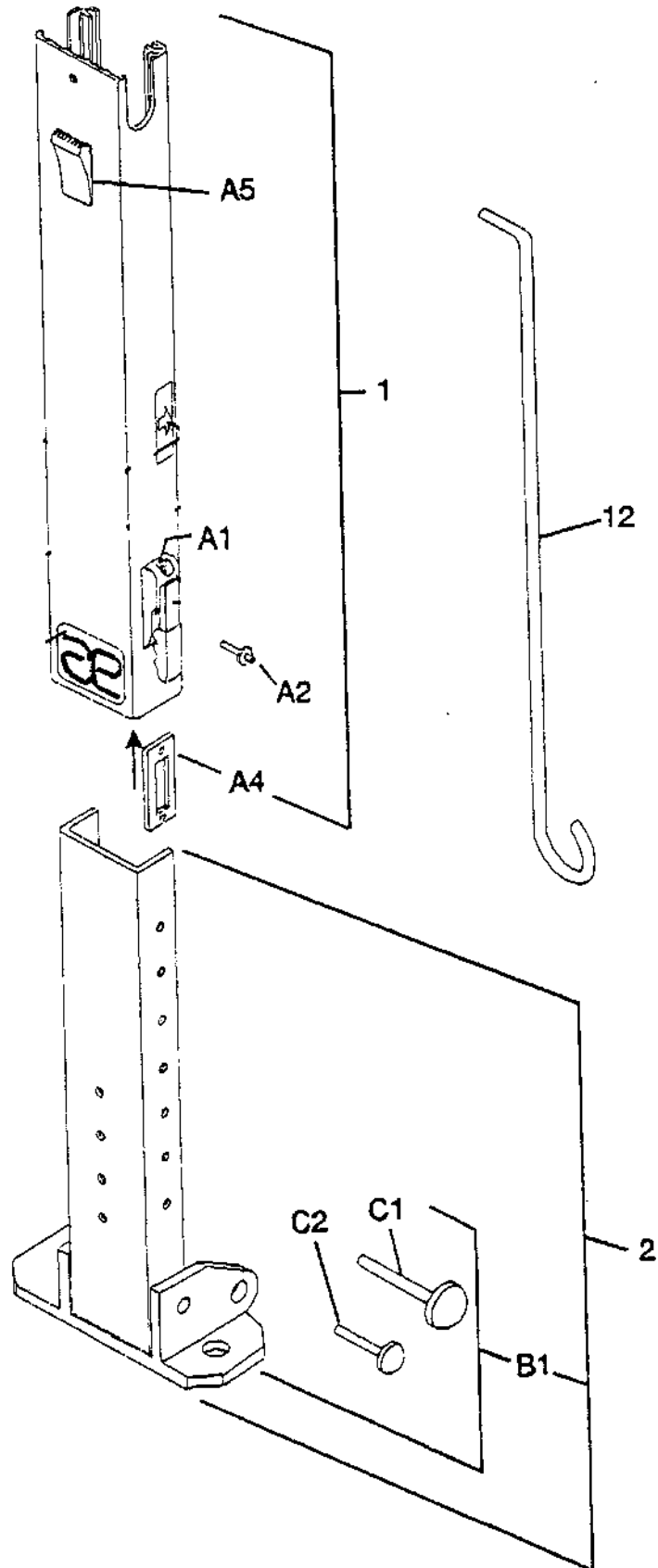
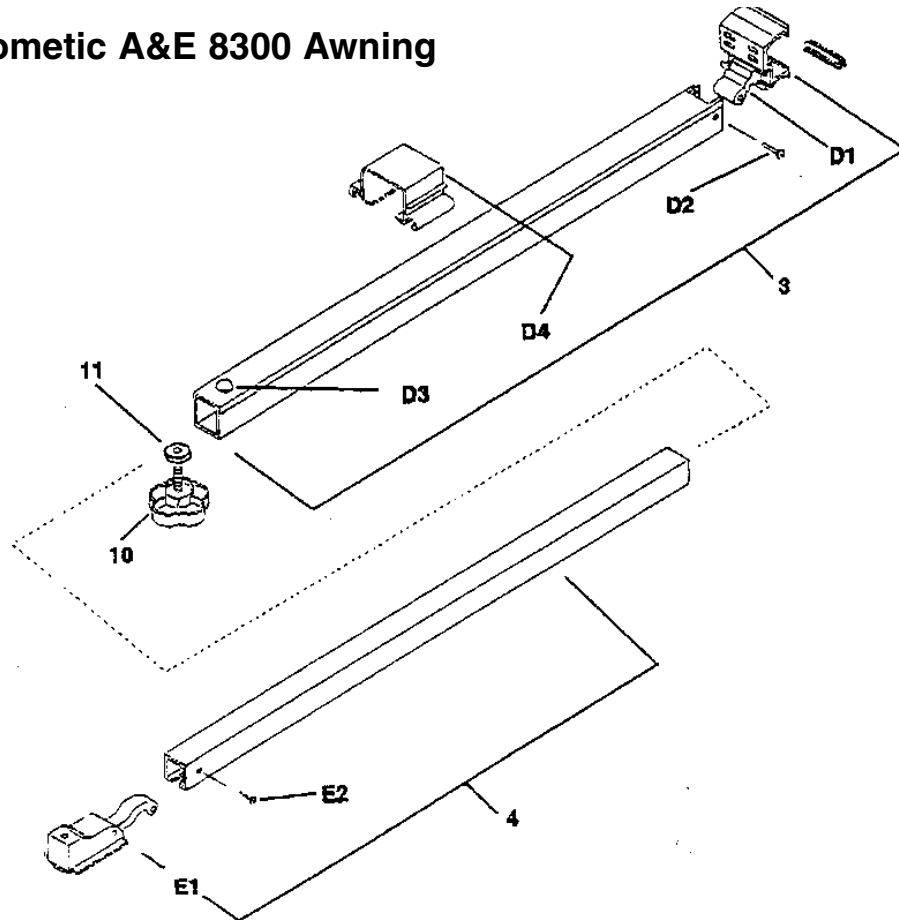


Model: Dometic A&E 8300 Awning

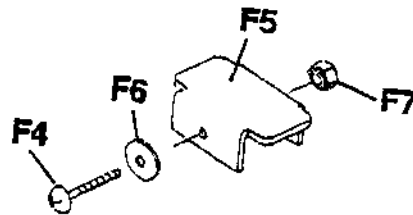
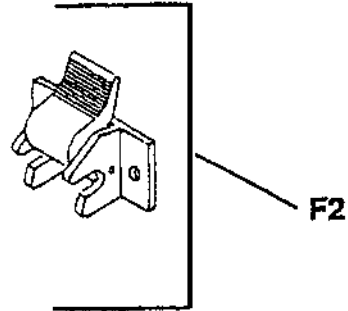
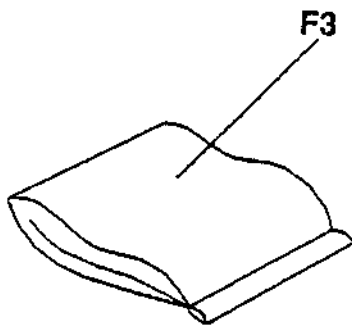


Model: Dometic A&E 8300 Awning



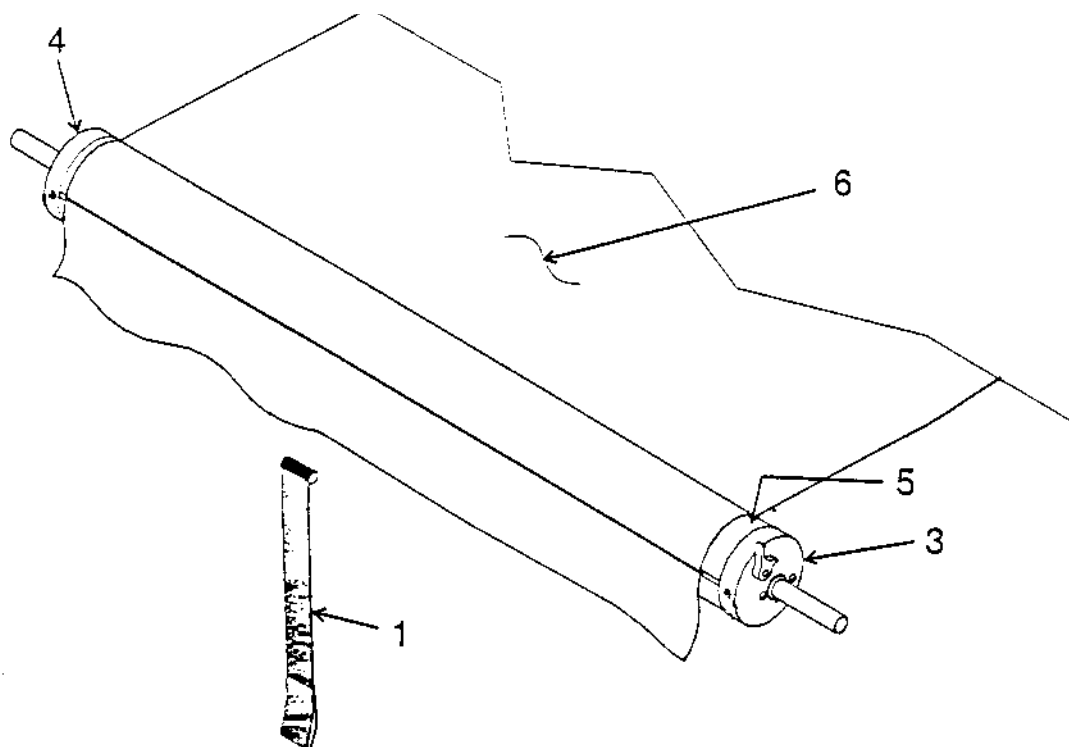
Item No.	Description	8271003.402B Part No.
1	Main Arm (2 req.)	3104502.426B
	A1 Handle, lift	830644
	A2 Rivet (2 req.)	308171.020
	A4 Shim, lift base	----
	A5 Kit, slider catch (pair)	830472.002
2	Arm, asm. adjustable (2 req.)	830466.516B
	B1 Foot diecast	3108708.342 (Old) 3108708.042 (New)
	C1 Rivet, semi-tube 5/16"x2.59	143002.059
	C2 Rivet, semi-tube 1/4"x2.56	143002.058
3	Rafter asm., main (2 req.)	830295.542B
	D1 Bracket asm., top	3108119.003M
	D2 Rivet, semi-tube	143002.053
	D3 Bumper, rubber	141031
	D4 Latch, travel (2 req.)	3105278.026
4	Rafter asm., secondary (2 req.)	830463.512B
	E1 Slider	830463
	E2 Rivet, semi tube 3/ 6" x 1.45 SS	143002.055
10	Knob, 5-point (2 req.)	3105421.014
11	Nut, special (2 req.)	3104652.007
12	Rod, EZ-pull	830152.102

Model: Dometic A&E 8300 Awning



Item No.	Description		Part No.
F2	Bracket, bottom	(2 req.)	3104653.005
F3	Kit, hardware, includes		3104852.003
	Washer, split	(2 req.)	
	Screw cap. Hex 1/42	(2 req.)	
	Screw *6-20	(2 req.)	
	Screw #10-24	(2 req.)	
	Nut lock	(2 req.)	
	Washer, stop	(2 req.)	
	Screw #14 x 2.0	(4 req.)	
	Screw #14 x 3.0	(4 req.)	
F4	Screw 1/4-20	(2 req.)	3104176.114
F5	Cap, arm	(2 req.)	3107942.009
F6	Washer, nylon	(2 req.)	309513.054
F7	Nut, lock	(2 req.)	3106825.007
F2 + F3	Universal Hardware Kit	(2 req.)	3104125.020

Kit 3107942.009

Model: Dometic A&E 8300 Awning


ITEM PART		DESCRIPTION	
No.	No.		
1	940001	Kit pull strap	94.5"
3	3108018.080	Torsion Asm. Right-hand	
4	3108018.098	Torsion Asm. Left-hand	
5	3108346.010	Roller Tube	10'
	3108346.011	Roller Tube	11'
	3108346.012	Roller Tube	12'
	3108346.013	Roller Tube	13'
	3108346.014	Roller Tube	14'
	3108346.015	Roller Tube	15'
	3108346.016	Roller Tube	16'
6	R3105699 (Colour Code) .106	Fabric Asm.	10'
	R3105699 (Colour Code) .114	Fabric Asm.	11'
	R3105699 (Colour Code) .122	Fabric Asm.	12'
	R3105699 (Colour Code) .130	Fabric Asm.	13'
	R3105699 (Colour Code) .148	Fabric Asm.	14'
	R3105699 (Colour Code) .155	Fabric Asm.	15'
	R3105699 (Colour Code) .163	Fabric Asm.	16'

Colour Code: AX = Periwinkle
 AW = Burgundy
 AV = Blue
 BE = Coffee
 EH = Pewter